

DETERMINING BEZEL PLATE SIZE:

STEP 1 MEASURE THE CASE DIMENSIONS FROM INSIDE CORNER TO INSIDE CORNER FOR ACTUAL TRUE CASE SIZE. REF FIGURE #2.

STEP 2 SUBTRACT .094" FROM EACH OF THESE DIMENSIONS (LENGTH AND WIDTH) FOR OUTSIDE PLATE SIZE. NOMINAL SIZES SHOWN FOR REFERENCE ONLY.

STEP 3 THE PLATE SIZE GENERATED IS FOR A BEZEL PLATE THAT WOULD BE LOCATED AT PARTING LINE (REF. FIGURE #1)
 FOR A BEZEL PLATE LOCATED BELOW THE PARTING LINE, FOR EVERY .25" BELOW THE PARTING LINE, SUBTRACT .018" FROM THE LENGTH AND WIDTH MEASUREMENT OF STEP 2.
 MAX INSTALLATION DEPTH OF PLATE FROM PARTING LINE IS 2.00"

NOTES:

1. INFORMATION PROVIDED IS FOR CUSTOMER REFERENCE.
2. DIMENSIONS ARE IN INCHES.
3. SEE FRAME INSTALLATION INSTRUCTION "PIII-0332" FOR PROPER LOCATION OF RAILS
4. FIGURE #1 CROSS SECTION VIEW OF RAIL, GASKET AND BEZEL PLATE.
5. FIGURE #2 MEASUREMENT POINTS FOR DIMENSIONS NEEDED.

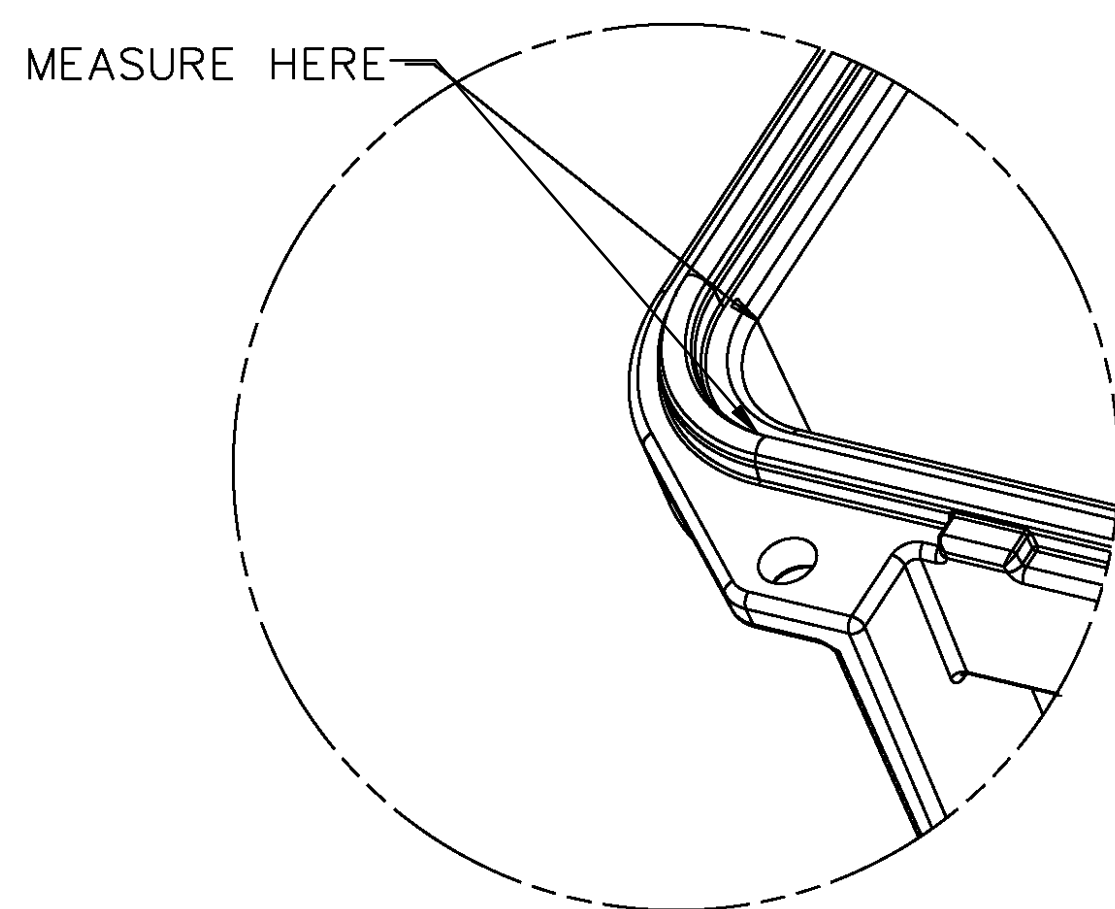


Fig #2

